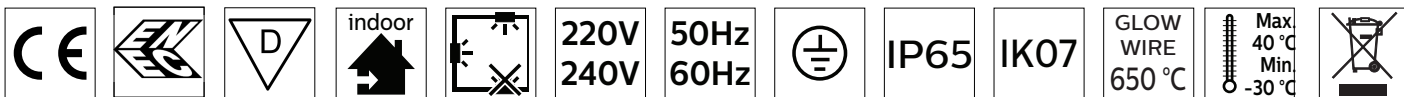
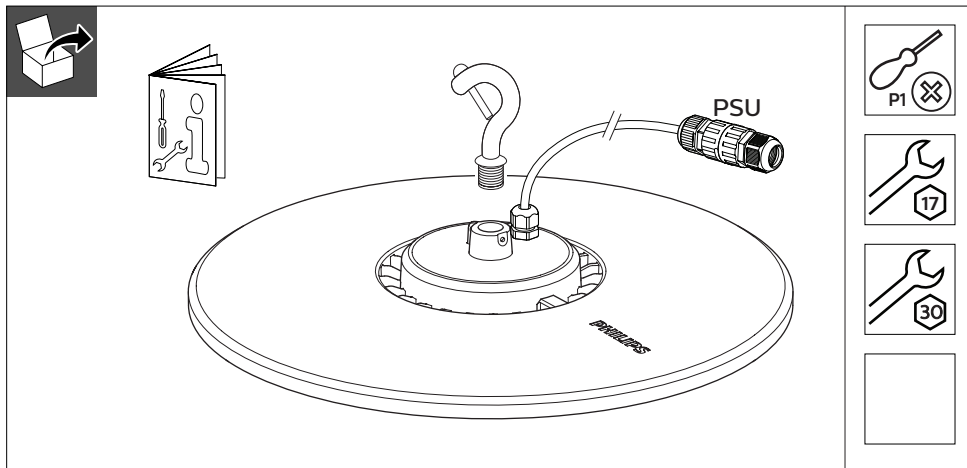


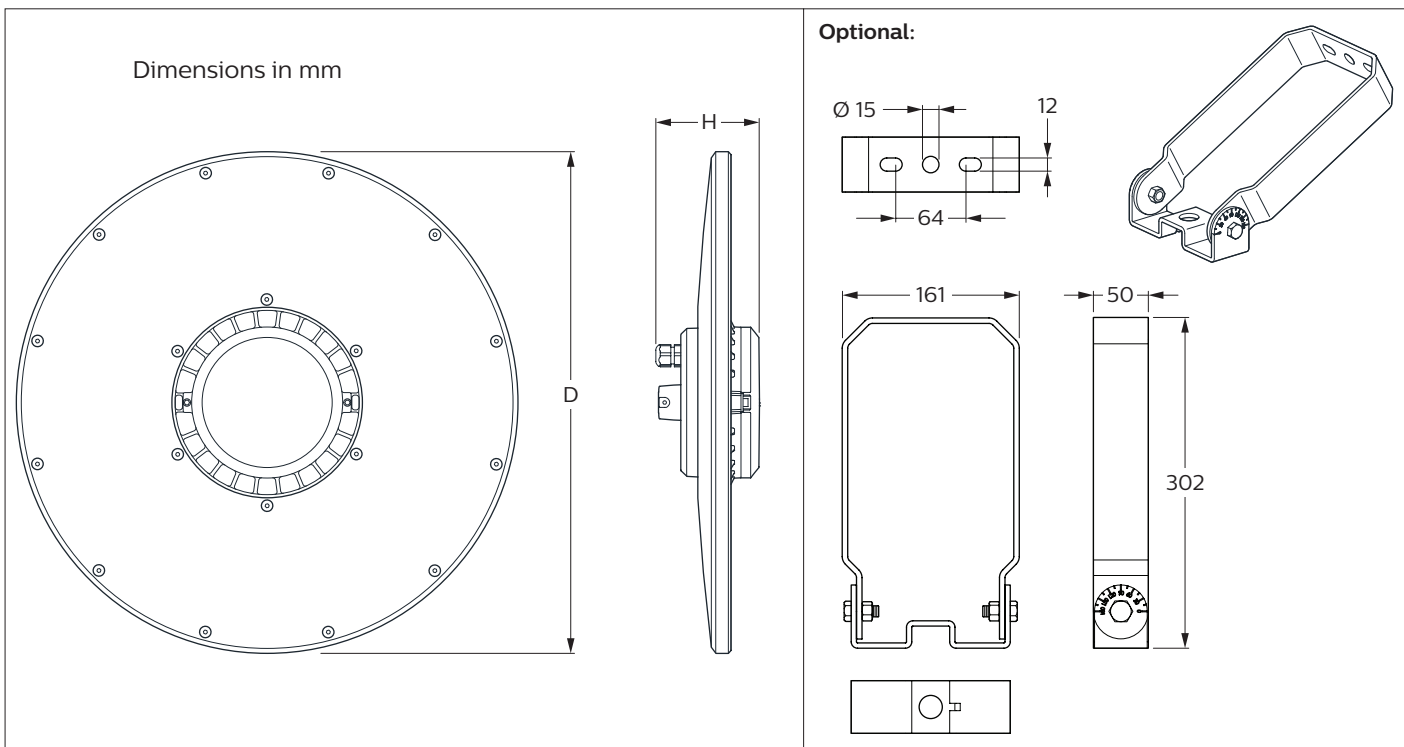
PHILIPS

Coreline Highbay Gen4

BY120P/BY121P/
BY122P

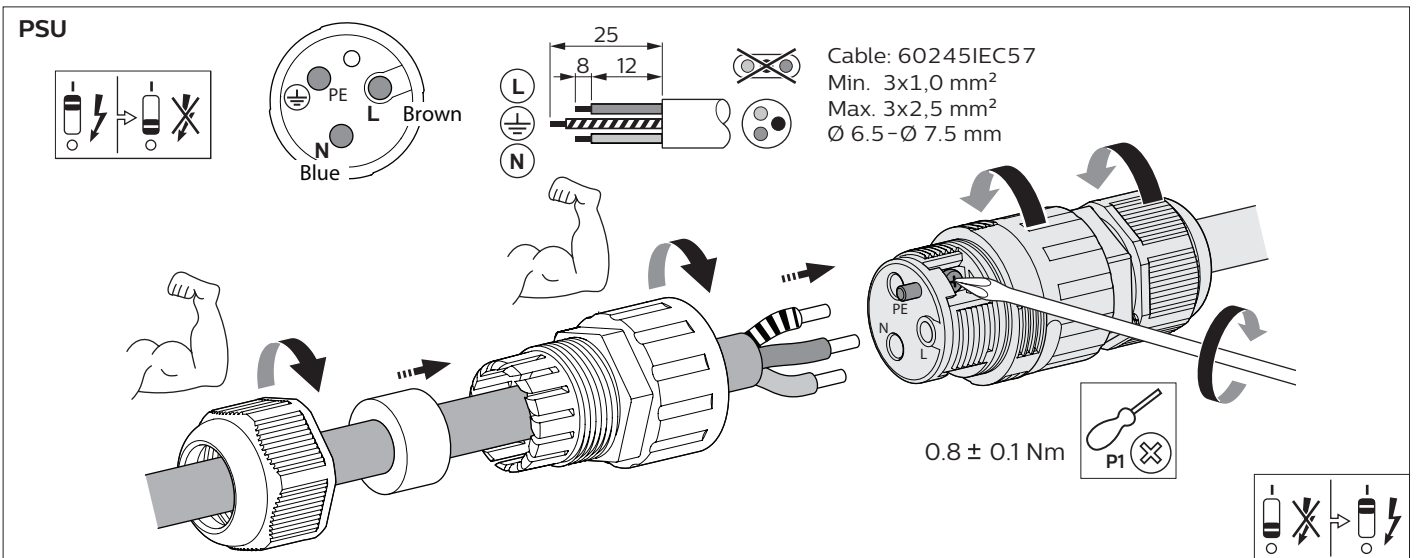
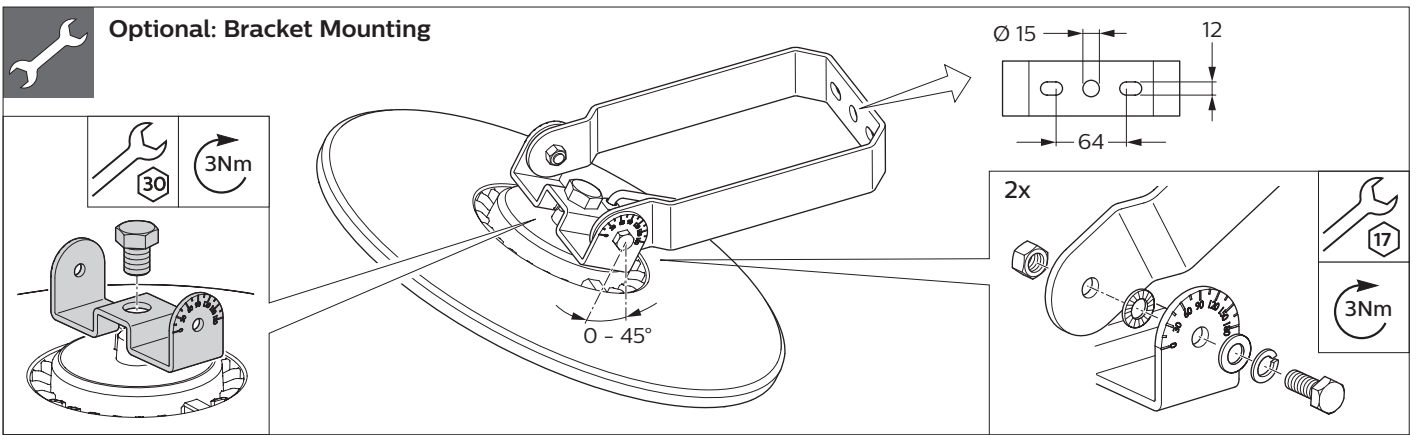
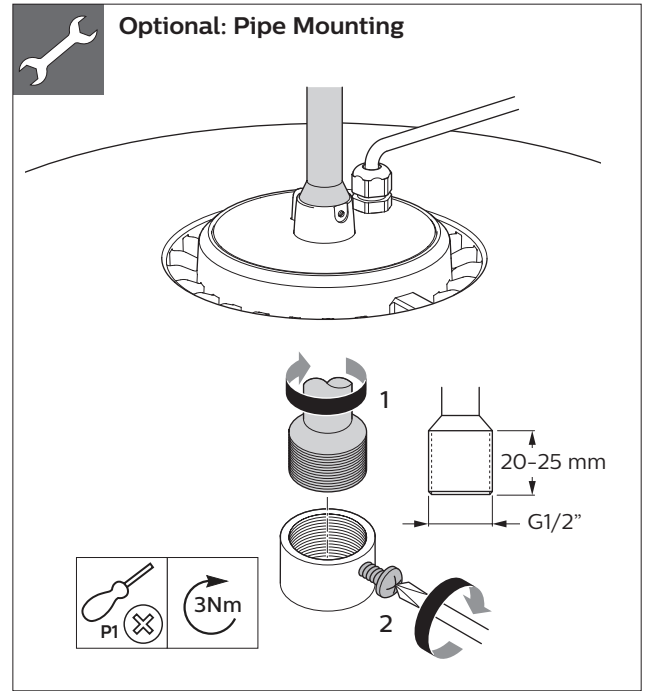
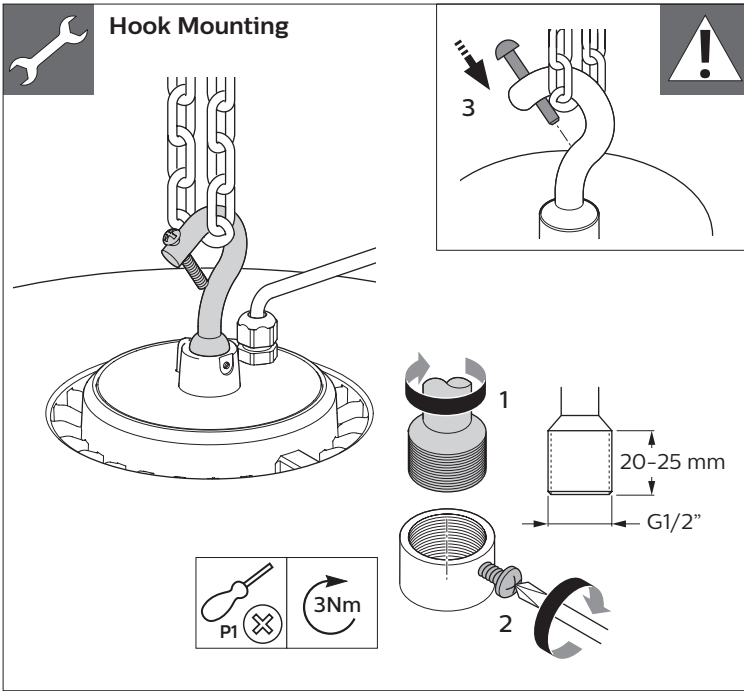


	System lumen (lm)	CCT	Pmax (W)	Optics	Dimensions in mm		kg
					D	H	
BY120P LED100S PSU	10000		69		385	95	3.3
BY121P LED200S PSU	20000	4000	138	WB	450	95	4.7
BY122P LED250S PSU	25000		172		510	90	5.8



Inrush current

	BY120P	BY121P	BY122P
Electrical characteristics			
Inom (A)	0.33	0.65	0.81
Imax (A)	54	54	64
Tref (µs)	650	650	750
MCB Maximum number of luminaires			
C-16 A	8	8	8



- The luminaire shall be installed by a qualified electrician and wired in accordance with the latest IEE electrical regulations or the national requirements .
- Do not switch on before complete installation.
- The height between luminous surface and ground suggested be more than 5m; and the height between bottom of luminaire and mounting surface must be more than 0.3m.
- If customer require the luminous surface levelness < 1°, the pipe mounting method is recommended, and suggest to use gradienter to precisely measure and adjust.
- If the external flexible cable or cord of this luminaire is damaged. It shall be exclusively replaced by the manufacturer or his service agent or a similar qualified person in order to avoid a hazard.
- The light source contained in this luminaire shall only be replaced by the manufacturer or his service agent or a similar qualified person.
- The corrosive atmosphere or hazardous materials such as sulfur, chlorine, phthalate, etc must be avoided during the use and storage.
- Luminaire don't have any evaluation on additional protection measures to prevent luminaire from high-altitude falling and windproof structure, can't be used as flood and tunnel luminaire.
- Not suitable for use in harsh vibration and often causing vibration or swinging environment. Also not suitable for area prone to hurricane and extreme winds.
- Installer needs to be arrange for the Chain / Pipe for mounting. The default product is supplied with a mounting hook
- For use in environments where an accumulation of conductive dust on the luminaire may be expected