

PHILIPS

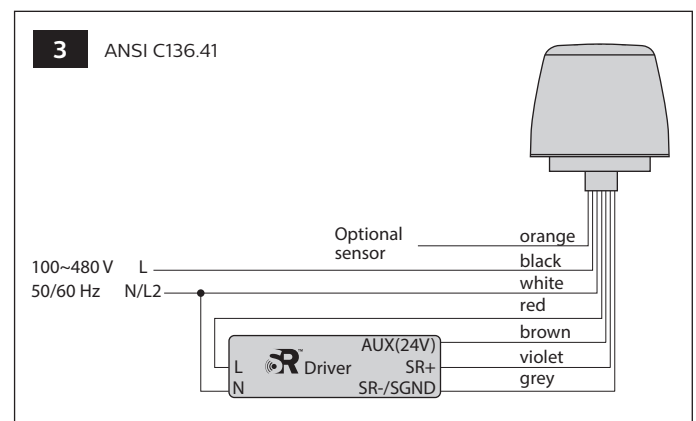
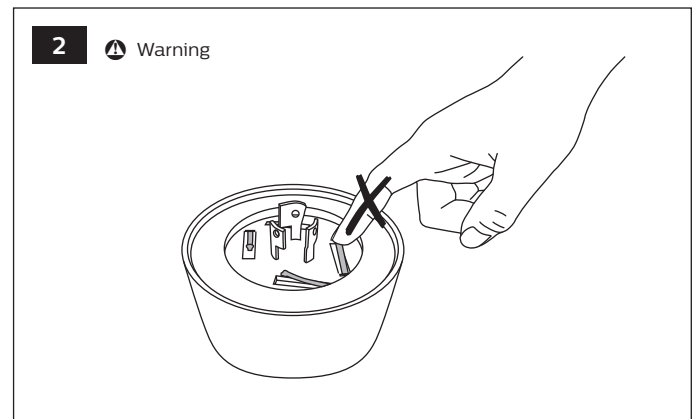
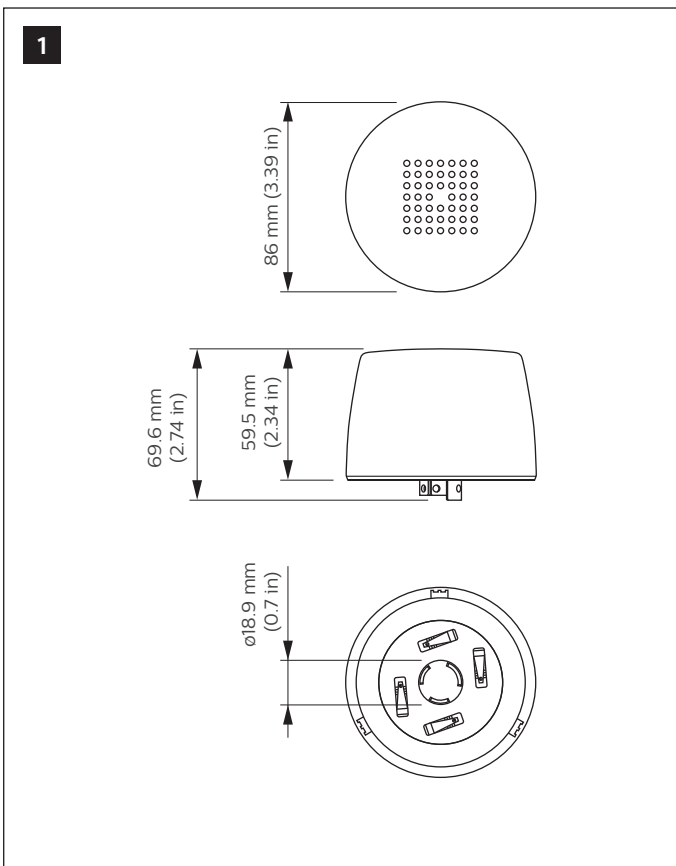
CityTouch
OLC NEMA SR

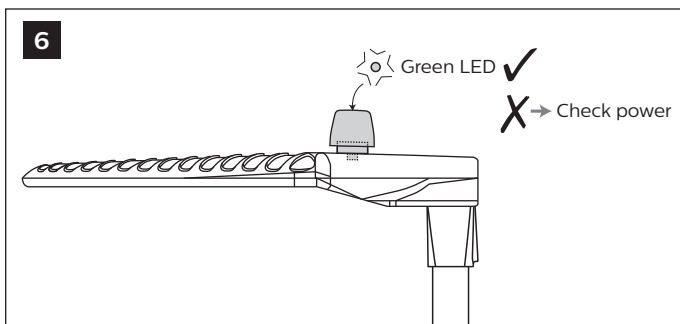
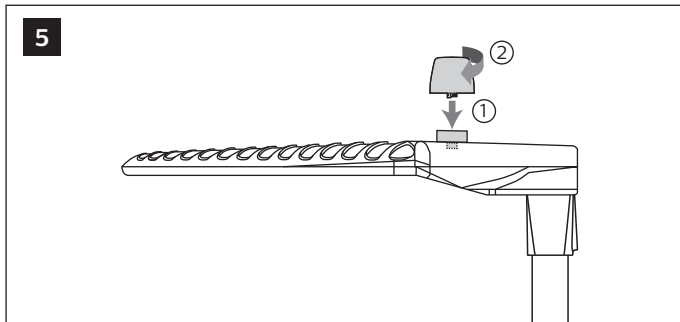
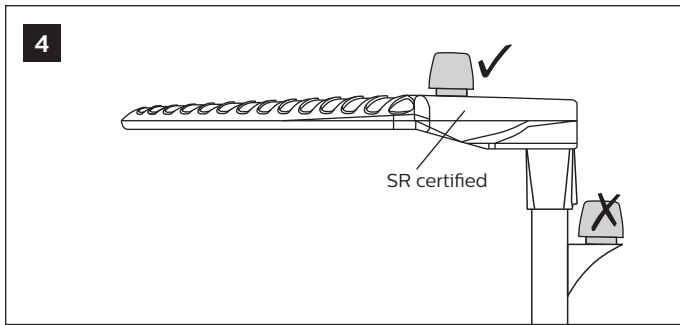
LLC7280



Installation Instructions

Instructions d'installation Installationsanweisungen Instrucciones de instalación
Istruzioni per l'installazione Installatie-instructies インストール手順 安装指示





- (EN) Hereby, Philips Lighting declares that this CityTouch LLC7280 OLC NEMA SR is in compliance with the essential requirements and other relevant provisions of Directive 1999/5/EC.
- (FR) Par la présente, Philips Lighting, déclare que l'appareil CityTouch LLC7280 OLC NEMA SR est conforme aux exigences essentielles et aux autres dispositions pertinentes de la directive 1999/5/EC.
- (DE) Hiermit erklärt Philips Lighting die Übereinstimmung des Gerätes CityTouch LLC7280 OLC NEMA SR mit den grundlegenden Anforderungen und den anderen relevanten Festlegungen der Richtlinie 1999/5/EC.
- (ES) Por medio de la presente, Philips Lighting, declara que el CityTouch LLC7280 OLC NEMA SR cumple con los requisitos esenciales y cualesquiera otras disposiciones aplicables o exigibles de la Directiva 1999/5/EC.
- (IT) Con la presente Philips Lighting dichiara che questo CityTouch LLC7280 OLC NEMA SR è conforme ai requisiti essenziali ed alle altre disposizioni pertinenti stabilite dalla direttiva 1999/5/EC.
- (NL) Hierbij verklaart Philips Lighting dat het toestel CityTouch LLC7280 OLC NEMA SR in overeenstemming is met de essentiële eisen en de andere relevante bepalingen van richtlijn 1999/5/EC.
- (JA) フィリップスライティング社は、この CityTouch LLC7280 OLC NEMA SR が 1999/5/EC 指令の基本的な要件とその他の関連条項に準拠していることをここに宣言します。
- (ZH) 飞利浦照明特此声明，此 CityTouch LLC7280 OLC NEMA SR 符合指令 1999/5/EC 中的基本要求和和其他相关规定

Hazardous Substances compliant with Directive 2011/65/EU - RoHS

Type	LLC7280
Lead (Pb)	x
Mercury (Hg)	0
Cadmium (Cd)	0
Hexavalent Chromium (Cr (VI))	0
Polybrominated biphenyls (PBB)	0
Polybrominated diphenyl ethers (PBDE)	0

O: Indicates that said hazardous substance contained in all of the homogeneous materials for this part is below the limit requirement of GB/T 26572.

X: Indicates that said hazardous substance contained in at least one of the homogeneous materials used for this part is above the limit requirement of GB/T 26572.

FCC/IC Regulatory notices

This device complies with Part 15 of the FCC Rules and Industry Canada licence-exempt RSS standard(s). Operation is subject to the following two conditions: (1) this device may not cause interference, and (2) this device must accept any interference, including interference that may cause undesired operation of the device.

Le présent appareil est conforme aux CNR d'Industrie Canada applicables aux appareils radio exempts de licence. L'exploitation est autorisée aux deux conditions suivantes : (1) l'appareil ne doit pas produire de brouillage, et (2) l'utilisateur de l'appareil doit accepter tout brouillage radioélectrique subi, même si le brouillage est susceptible d'en compromettre le fonctionnement.

Philips Lighting has not approved any changes or modifications to this device by the user. Any changes or modifications could void the user's authority to operate the equipment.

Philips Lighting n'approuve aucune modification apportée à l'appareil par l'utilisateur, quelle qu'en soit la nature. Tout changement ou modification peuvent annuler le droit d'utilisation de l'appareil par l'utilisateur.

This device complies with FCC/IC radiation exposure limits set forth for an uncontrolled environment and meets the FCC radio frequency (RF) Exposure Guidelines and RSS-102 of the IC radio frequency (RF) Exposure rules. This transmitter must not be co-located or operating in conjunction with any other antenna or transmitter.

Le présent appareil est conforme à l'exposition aux radiations FCC / IC définies pour un environnement non contrôlé et répond aux directives d'exposition de la fréquence de la FCC radiofréquence (RF) et RSS-102 de la fréquence radio (RF) IC règles d'exposition. L'émetteur ne doit pas être colocalisé ni fonctionner conjointement avec à autre antenne ou autre émetteur.

This equipment has been tested and found to comply with the limits for a Class A digital device, pursuant to Part 15 of the FCC Rules. These limits are designed to provide reasonable protection against harmful interference when the equipment is operated in a commercial environment. This equipment generates, uses, and can radiate radio frequency energy and, if not installed and used in accordance with the instructions, may cause harmful interference to radio communications.

This product is intended for commercial use only, however operation of this equipment in a residential area may cause harmful interference.

This equipment should be installed and operated with a minimum distance of 20 centimeters between the radiator and your body.

Luminaires to be equipped with the CityTouch OLC should be compliant with applicable FCC regulations and should be installed according to the National Electrical Code.

This Class A digital apparatus complies with Canadian ICES-003. Cet appareil numérique de classe A est conforme à la norme canadienne NMB-003.

